

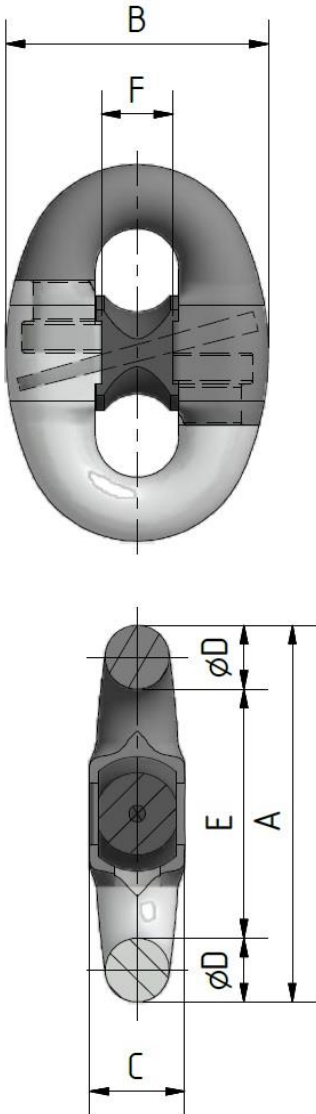
Kenter Type Connection



Kenter Joining Shackle

Design according to ISO 1704

Offshore accessory to be used for Temporary and Mobile Mooring available with certification by DNV-GL



chain dia.	A	B	C	D	E	F	R3 PL kN	R3 MBL kN	R3S PL kN	R3S MBL kN	R4 PL kN	R4 MBL kN
70	420	294	106	70	280	79	2935	4196	3387	4685	4064	5156
72	432	302	109	72	288	81	3092	4421	3568	4936	4282	5432
74	444	311	112	74	296	84	3253	4650	3753	5192	4504	5714
76	456	319	116	76	304	86	3417	4884	3942	5454	4731	6001
78	468	328	119	78	312	88	3584	5123	4135	5720	4962	6295
80	480	336	122	80	320	90	3754	5366	4332	5992	5198	6594
82	492	344	125	82	328	93	3927	5614	4531	6268	5438	6898
84	504	353	128	84	336	95	4104	5866	4735	6550	5682	7208
86	516	361	131	86	344	97	4283	6122	4942	6836	5930	7522
88	528	370	134	88	352	99	4465	6383	5152	7127	6182	7842
89	534	374	135	89	356	101	4557	6514	5258	7274	6310	8004
90	540	378	137	90	360	102	4650	6647	5365	7422	6439	8167
92	552	386	140	92	368	104	4838	6916	5582	7722	6699	8497
94	564	395	143	94	376	106	5028	7188	5802	8026	6962	8832
95	570	399	144	95	380	107	5125	7326	5913	8180	7096	9001
96	576	403	146	96	384	108	5222	7464	6025	8335	7230	9171
98	588	412	149	98	392	111	5418	7744	6251	8647	7501	9515
100	600	420	152	100	400	113	5616	8028	6480	8964	7776	9864
102	612	428	155	102	408	115	5817	8315	6712	9285	8054	10217
105	630	441	160	105	420	119	6123	8753	7065	9773	8478	10754
108	648	454	164	108	432	122	6434	9197	7424	10270	8909	11301
114	684	479	173	114	456	129	7071	10109	8159	11287	9791	12420
117	702	491	178	117	468	132	7397	10574	8535	11807	10242	12993
120	720	504	182	120	480	136	7728	11047	8916	12334	10700	13573
127	762	533	193	127	508	144	8515	12171	9824	13591	11789	14955
133	798	559	202	133	532	150	9206	13159	10622	14694	12746	16169
146	876	613	222	146	584	165	10747	15363	12401	17154	14881	18877
152	912	638	231	152	608	172	11476	16405	13241	18317	15890	20156



- Standard Certification:** available with DNV-GL, ABS, Lloyd's Register, Bureau Veritas
- Application:** for connection to mooring chain to Feubo Swivels, Shackles & Sockets in a variety of configurations
- Manufactured & Tested:** in Germany by Feubo
- Material:** Forged Steel - Grade R3, R3S, R4
- Features:** Same outer length as chain of same diameter, easy to disassemble